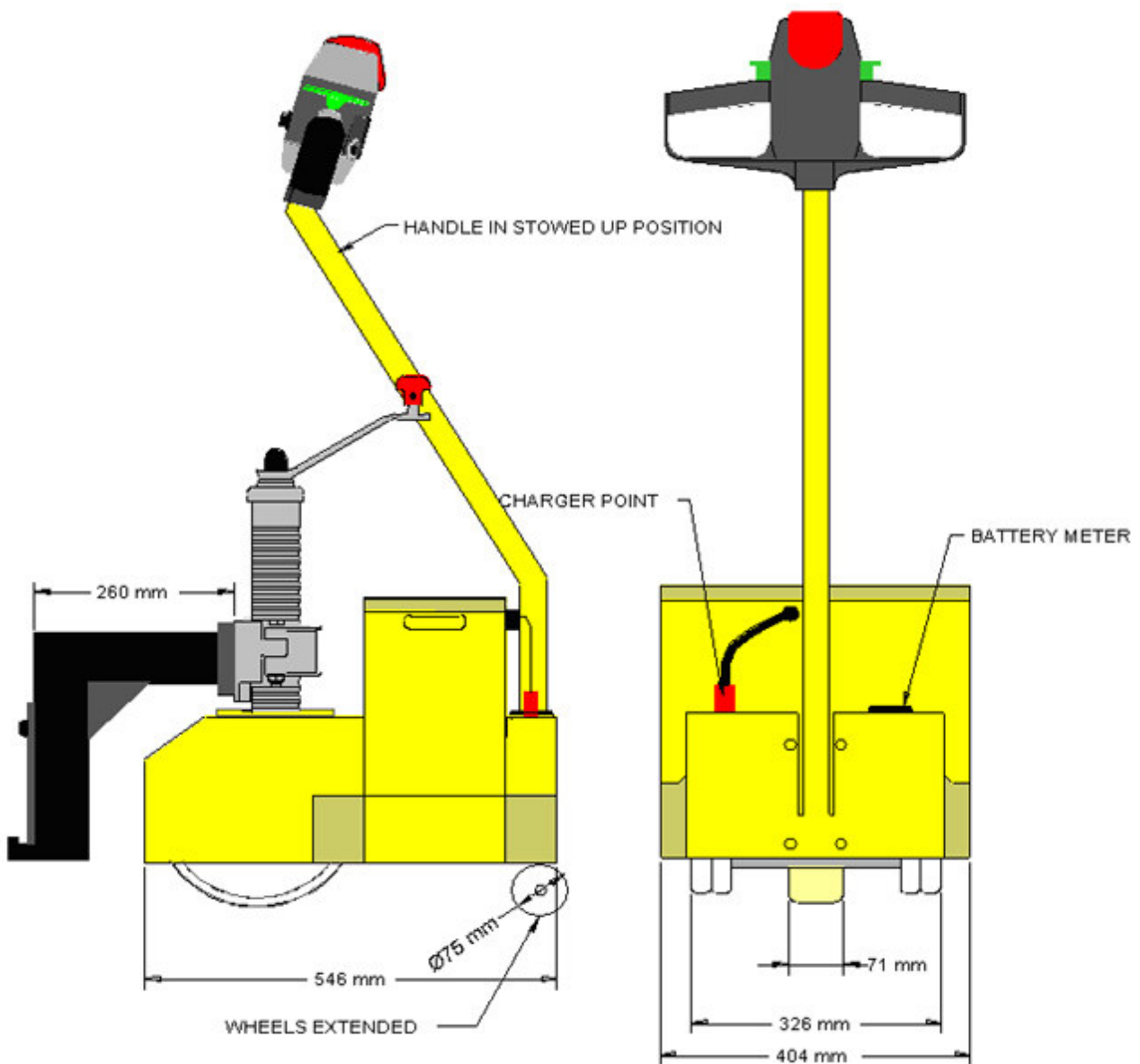


Supermover Mini



MINI

**WEIGHT TRANSFER COUPLING
(SHOWN) OR SEMI AUTOMATIC**

24 VOLTS

MOTOR 1,200 WATTS

GEL BATTERIES 38 AMP HOUR

INTERCHANGEABLE BATTERY BOX

WEIGHT 135 KGS APPROX

**DRIVE WHEEL 260 MM DIAMETER
RUNNER OR POLYURETHANE**



ims Handhabungstechnik GmbH
Pforzheimer Straße 46
75015 Bretten
fon: +49 (7252) 96661-0
fax: +49 (7252) 96661-29
mail: info@ims-tec.de
www.ims-tec.de